

URBANFIT **ACTIVO**

CORE TWISTA DOUBLE

>> UFE - 6219



↓ DOWNLOADS

Login or Register to access to DWG files and large product images.

*Estimate based on normal lead times and delivery for manufactured products within Australia. To view our range of spare parts, please visit playgroundparts.com.au

SPECIFICATIONS

| | |
|----------------------|----------------------------------|
| Fall Height | 140mm |
| Product Dimensions | 0.4m x 1.4m x 1.7m(H) |
| Total Space Required | 12.3m ² (3.4m x 4.4m) |

USAGE

 Flexibility  Strength  Balance

TECHNICAL INFORMATION

| | |
|--------------------------|---------------------|
| AUS Standards Compliance | AS4685 |
| Assembly Time | 2 hrs |
| Total Weight | 65 kg |
| Heaviest Component | 48 kg |
| Concrete Required | 0.2 m ³ |
| Number of Footings | 3 |
| Foundations | Info on application |
| Largest Part | Info on application |
| Spare Parts Availability | 4-6 weeks* |

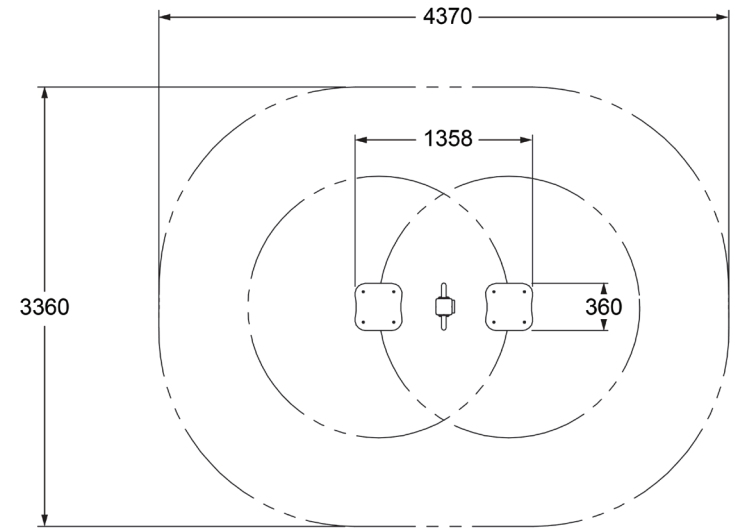
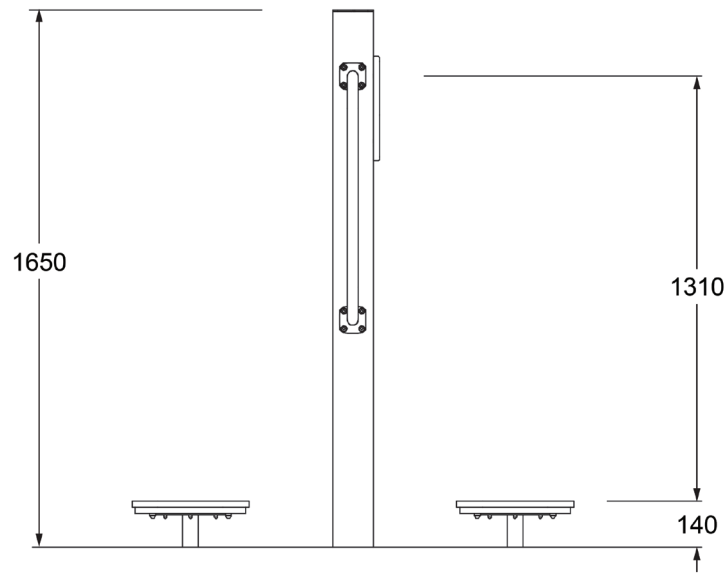
URBANFIT **ACTIVO**

CORE TWISTA DOUBLE

>> UFE - 6219



SIDE AND TOP ELEVATION



For information on our [Care Plan](#), or [Warranty](#), please contact Moduplay Group Pty Ltd:

P. 1800 806 145 **P.** +612 4272 1644 **E.** info@urbanfit.com.au **A.** 12-14 Doyle Avenue Unanderra NSW 2526 Australia

URBANFIT
by MODUPLAY