

URBANFIT **ACTIVO** CROSSTRAINER

>> UFE - 6210



↓ DOWNLOADS

Login or Register to access to DWG files and large product images.

*Estimate based on normal lead times and delivery for manufactured products within Australia. To view our range of spare parts, please visit playgroundparts.com.au

SPECIFICATIONS

Fall Height	240mm
Product Dimensions	2.2m x 0.5m x 1.9m(H)
Total Space Required	15m ² (5.1 m x 3.5m)

USAGE

 Cardio

TECHNICAL INFORMATION

AUS Standards Compliance	AS4685
Assembly Time	2 hrs
Total Weight	99 kg
Heaviest Component	99 kg
Concrete Required	0.3 m ³
Number of Footings	2
Foundations	Info on application
Largest Part	Info on application
Spare Parts Availability	4-6 weeks*

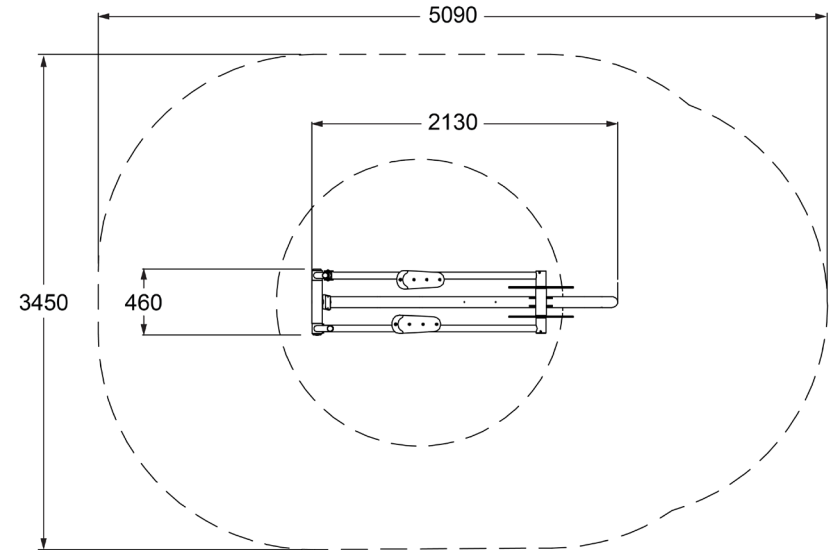
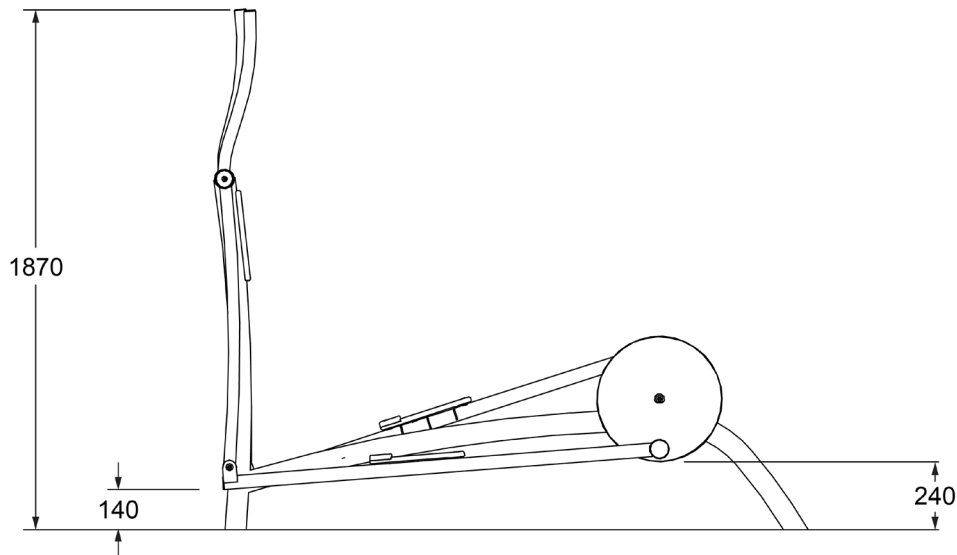
URBANFIT **ACTIVO**

CROSSTRAINER

>> UFE - 6210



SIDE AND TOP ELEVATION



For information on our [Care Plan](#), or [Warranty](#), please contact Moduplay Group Pty Ltd:

P. 1800 806 145 **P.** +612 4272 1644 **E.** info@urbanfit.com.au **A.** 12-14 Doyle Avenue Unanderra NSW 2526 Australia

URBANFIT
by MODUPLAY