

URBANFIT TREKKO

COOGEE STATION

>> UFT-362I



↓ DOWNLOADS


Login or Register to access to DWG files and large product images.

*Estimate based on normal lead times and delivery for manufactured products within Australia. To view our range of spare parts, please visit playgroundparts.com.au

SPECIFICATIONS

Fall Height	1220mm
Product Dimensions	0.8m x 1.6m x 1.9m(H)
Total Space Required	15.3m ² (3.8m x 4.6m)

USAGE

 Strength

TECHNICAL INFORMATION

AUS Standards Compliance	AS4685
Assembly Time	4 hrs
Total Weight	67 kg
Heaviest Component	19 kg
Concrete Required	0.2 m ³
Number of Footings	2
Foundations	Info on application
Largest Part	Info on application
Spare Parts Availability	4-6 weeks*

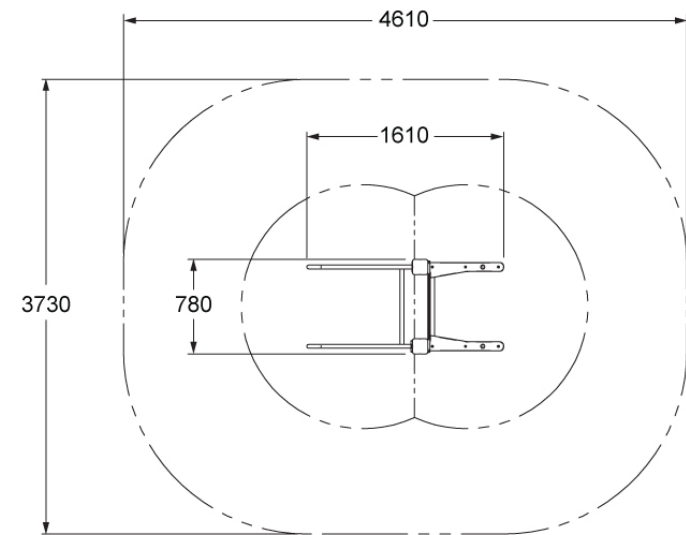
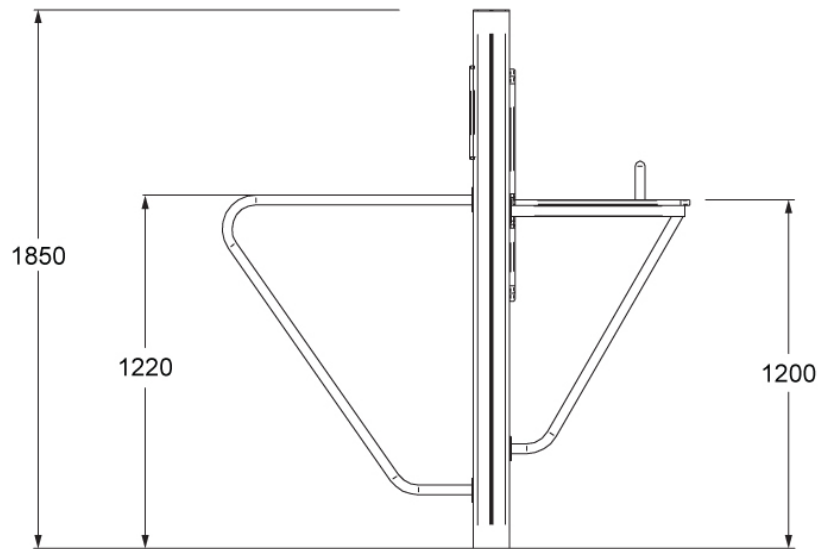
URBANFIT TREKKO

COOGEE STATION

>> UFT-3621



SIDE AND TOP ELEVATION



For information on our [Care Plan](#), or [Warranty](#), please contact Moduplay Group Pty Ltd:

P. 1800 806 145 **P.** +612 4272 1644 **E.** info@urbanfit.com.au **A.** 12-14 Doyle Avenue Unanderra NSW 2526 Australia

URBANFIT
by MODUPLAY