

URBANFIT TREKKO

DEXTERITY STATION

>> UFT-3619



↓ DOWNLOADS

Login or Register to access to DWG files and large product images.

*Estimate based on normal lead times and delivery for manufactured products within Australia. To view our range of spare parts, please visit playgroundparts.com.au

SPECIFICATIONS

Fall Height	1200mm
Product Dimensions	0.8m x 3.4m x 1.9m(H)
Total Space Required	21.4m ² (3.7m x 6.4m)

USAGE

 Flexibility  Strength  Balance

TECHNICAL INFORMATION

AUS Standards Compliance	AS4685
Assembly Time	4 hrs
Total Weight	103 kg
Heaviest Component	20 kg
Concrete Required	0.3 m ³
Number of Footings	5
Foundations	Info on application
Largest Part	Info on application
Spare Parts Availability	4-6 weeks*

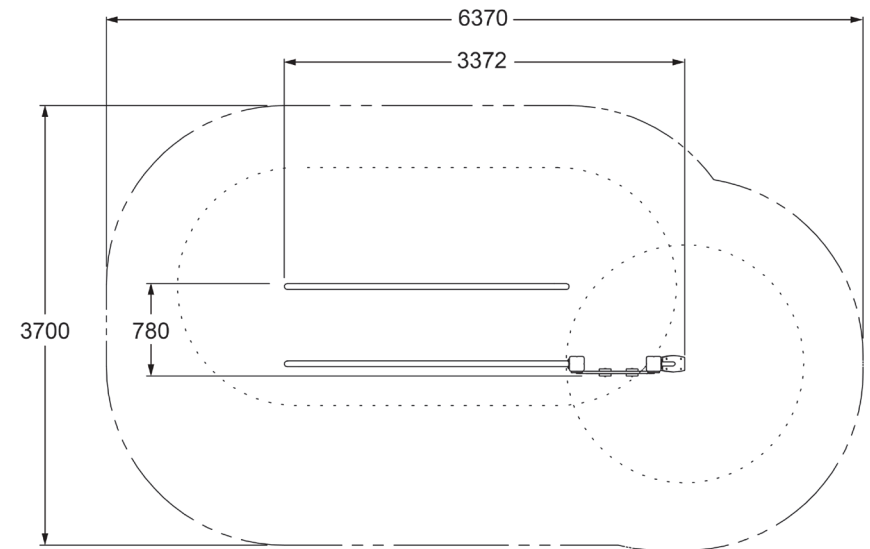
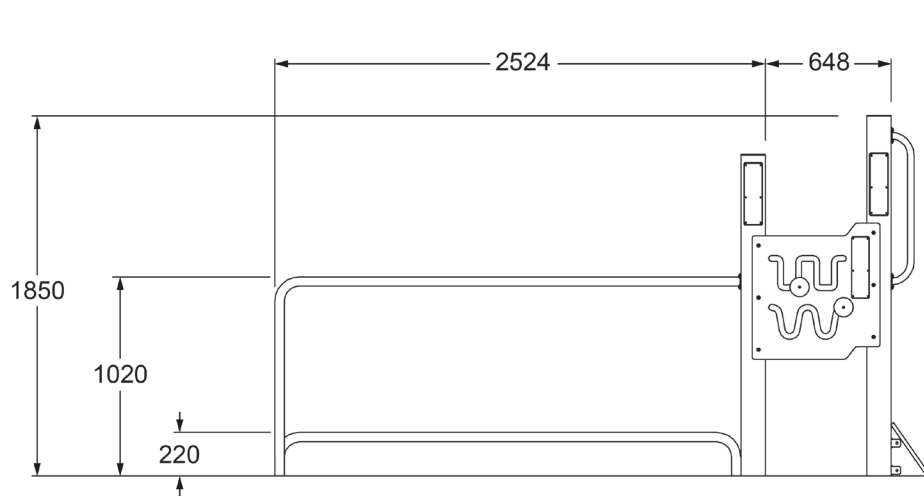
URBANFIT TREKKO

DEXTERITY STATION

>> UFT-3619



SIDE AND TOP ELEVATION



For information on our [Care Plan](#), or [Warranty](#), please contact Moduplay Group Pty Ltd:

P. 1800 806 145 P. +612 4272 1644 E. info@urbanfit.com.au A. 12-14 Doyle Avenue Unanderra NSW 2526 Australia

URBANFIT
by MODUPLAY