

URBANFIT TREKKO TRAIL BARS

>> UFT-3618



↓ DOWNLOADS

Login or Register to access to DWG files and large product images.

*Estimate based on normal lead times and delivery for manufactured products within Australia. To view our range of spare parts, please visit playgroundparts.com.au

SPECIFICATIONS

Fall Height	1220mm
Product Dimensions	1.4m x 2.1m x 1.5m(H)
Total Space Required	19.6m ² (4.3m x 5m)

USAGE

 Flexibility  Strength

TECHNICAL INFORMATION

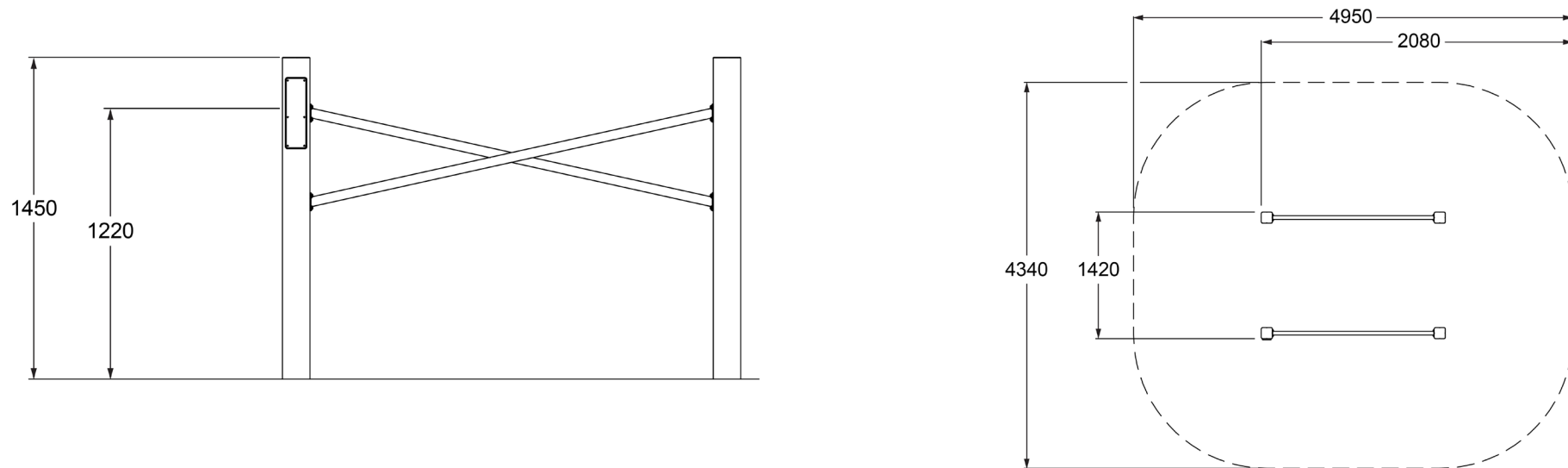
AUS Standards Compliance	AS4685
Assembly Time	3 hrs
Total Weight	65 kg
Heaviest Component	13 kg
Concrete Required	0.4 m ³
Number of Footings	4
Foundations	Info on application
Largest Part	Info on application
Spare Parts Availability	4-6 weeks*

URBANFIT TREKKO
TRAIL BARS

>> UFT-3618



SIDE AND TOP ELEVATION



For information on our [Care Plan](#), or [Warranty](#), please contact Moduplay Group Pty Ltd:

P. 1800 806 145 **P.** +612 4272 1644 **E.** info@urbanfit.com.au **A.** 12-14 Doyle Avenue Unanderra NSW 2526 Australia

URBANFIT
by MODUPLAY