

URBANFIT TREKKO

# STATIC BENCH

>> UFT-3631



## ↓ DOWNLOADS

Login or Register to access to DWG files and large product images.

\*Estimate based on normal lead times and delivery for manufactured products within Australia. To view our range of spare parts, please visit [playgroundparts.com.au](http://playgroundparts.com.au)

## SPECIFICATIONS

|                      |                                  |
|----------------------|----------------------------------|
| Fall Height          | 460mm                            |
| Product Dimensions   | 2.5m x 0.3m x 0.5m(H)            |
| Total Space Required | 15.8m <sup>2</sup> (5.4m x 3.3m) |

## USAGE

 Strength  Cardio

## TECHNICAL INFORMATION

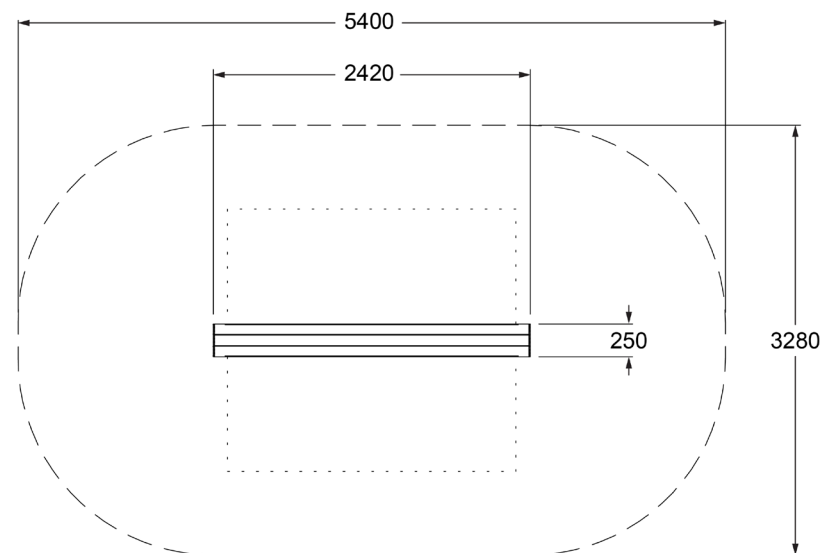
|                          |                     |
|--------------------------|---------------------|
| AUS Standards Compliance | AS4685              |
| Assembly Time            | 1.5 hrs             |
| Total Weight             | 29 kg               |
| Heaviest Component       | 11.5 kg             |
| Concrete Required        | 0.2 m <sup>3</sup>  |
| Number of Footings       | 2                   |
| Foundations              | Info on application |
| Largest Part             | Info on application |
| Spare Parts Availability | 4-6 weeks*          |

URBANFIT TREKKO  
**STATIC BENCH**

>> UFT-3631



**SIDE AND TOP ELEVATION**



For information on our [Care Plan](#), or [Warranty](#), please contact Moduplay Group Pty Ltd:

**P.** 1800 806 145 **P.** +612 4272 1644 **E.** [info@urbanfit.com.au](mailto:info@urbanfit.com.au) **A.** 12-14 Doyle Avenue Unanderra NSW 2526 Australia

**URBANFIT**  
by MODUPLAY