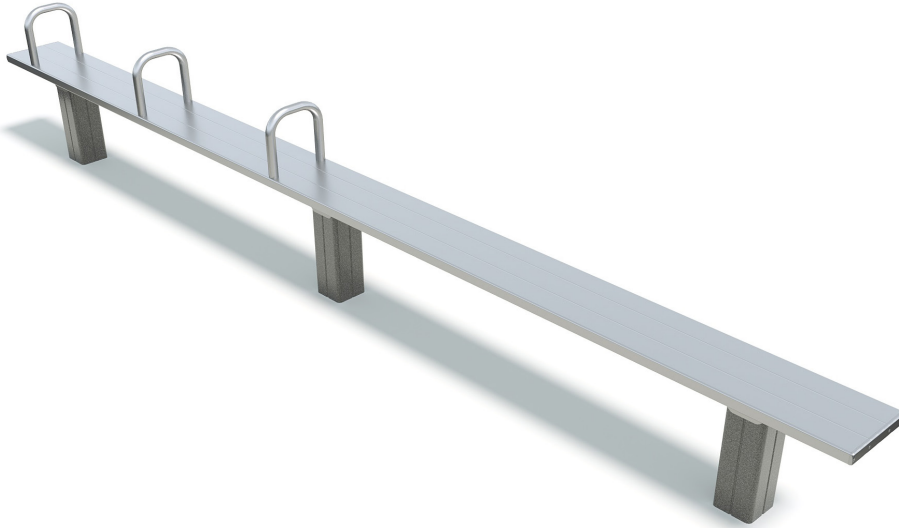




# URBANFIT TREKKO



## UFT-3632 DELUXE MULTIBENCH



### PRODUCT INFORMATION

[Download Files](#)

[3D Render](#)

### USAGE

Flexibility

Strength

Cardio

Circuit

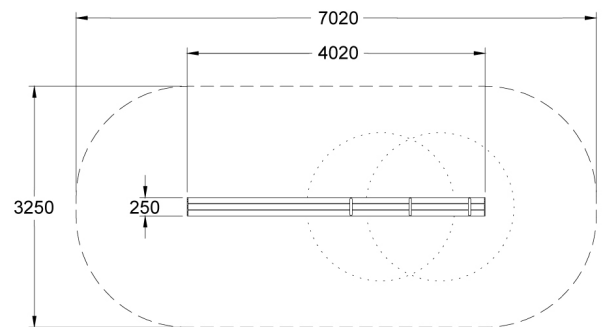
## SPECIFICATIONS

FALL HEIGHT	460mm
PRODUCT DIMENSIONS	L 4m x W 0.25m x H 0.46m
TOTAL SPACE REQUIRED	20.9m <sup>2</sup> (7m x 3.25m)

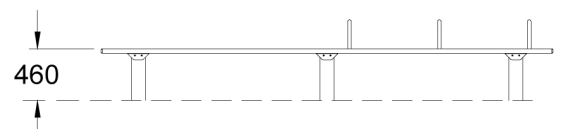
## TECHNICAL INFORMATION

AUS STANDARDS COMPLIANCE	AS4685
ASSEMBLY TIME	1.5 hrs
TOTAL WEIGHT	46 kg
HEAVIEST COMPONENT	8 kg
CONCRETE REQUIRED	0.3 m <sup>3</sup>
NUMBER OF FOOTINGS	3

### TOP VIEW



### SIDE ELEVATION



WARRANTY



CARE PLAN



AUS MADE