



URBANFIT TREKKO



UFT - 3623

SIT-UP & LEG RAISE STATION



PRODUCT INFORMATION

[Download Files](#)

[3D Render](#)

USAGE

- Flexibility
- Strength
- Cardio
- Circuit

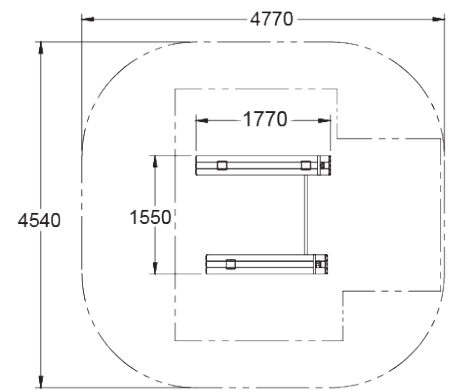
SPECIFICATIONS

FALL HEIGHT	1000mm
PRODUCT DIMENSIONS	L 1.6m x W 1.8m x H 1.m
TOTAL SPACE REQUIRED	19.6m ² (4.6m x 4.8m)

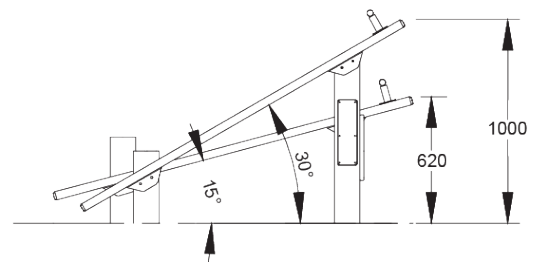
TECHNICAL INFORMATION

AUS STANDARDS COMPLIANCE	AS4685
ASSEMBLY TIME	1 hr
TOTAL WEIGHT	54 kg
HEAVIEST COMPONENT	9 kg
CONCRETE REQUIRED	0.4 m ³
NUMBER OF FOOTINGS	4

TOP VIEW



SIDE ELEVATION



WARRANTY



CARE PLAN



AUS MADE