



### PRODUCT INFORMATION

[Download Files](#)

[3D Render](#)

### USAGE

Flexibility

Strength

Cardio

Circuit

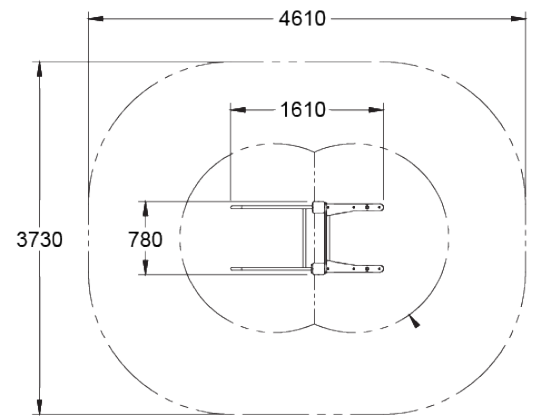
## SPECIFICATIONS

FALL HEIGHT	1220mm
PRODUCT DIMENSIONS	L 0.8m x W 1.7m x H 1.9m
TOTAL SPACE REQUIRED	15.3m <sup>2</sup> (3.8m x 4.7m)

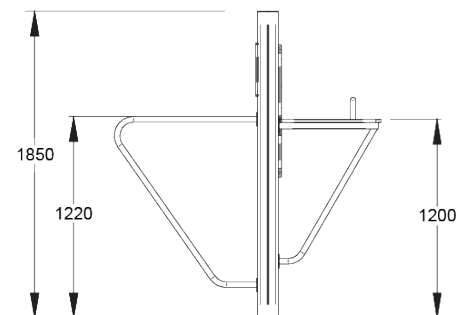
## TECHNICAL INFORMATION

AUS STANDARDS COMPLIANCE	AS4685
ASSEMBLY TIME	2 hrs
TOTAL WEIGHT	249 kg
HEAVIEST COMPONENT	107 kg
CONCRETE REQUIRED	0.2 m <sup>3</sup>
NUMBER OF FOOTINGS	2

TOP VIEW



SIDE ELEVATION



WARRANTY



CARE PLAN



AUS MADE