



URBANFIT NITRO



UFN - 6002 STATION 2



PRODUCT INFORMATION

[Download Files](#)

[3D Render](#)

USAGE

- Flexibility
- Strength
- Cardio
- Circuit

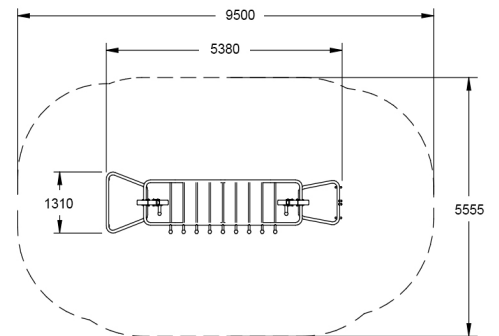
SPECIFICATIONS

FALL HEIGHT	2640mm
PRODUCT DIMENSIONS	L 5.38m x W 1.31m x H 2.64m
TOTAL SPACE REQUIRED	46.8m ² (9.50m x 5.55m)

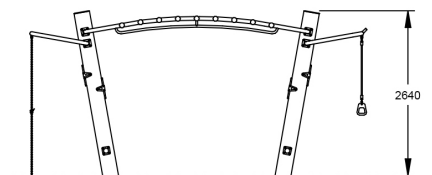
TECHNICAL INFORMATION

AUS STANDARDS COMPLIANCE	AS4685
ASSEMBLY TIME	12 hrs
TOTAL WEIGHT	120 kg
HEAVIEST COMPONENT	30 kg
CONCRETE REQUIRED	0.50 m ³
NUMBER OF FOOTINGS	4

TOP VIEW



SIDE ELEVATION



WARRANTY



CARE PLAN



AUS MADE